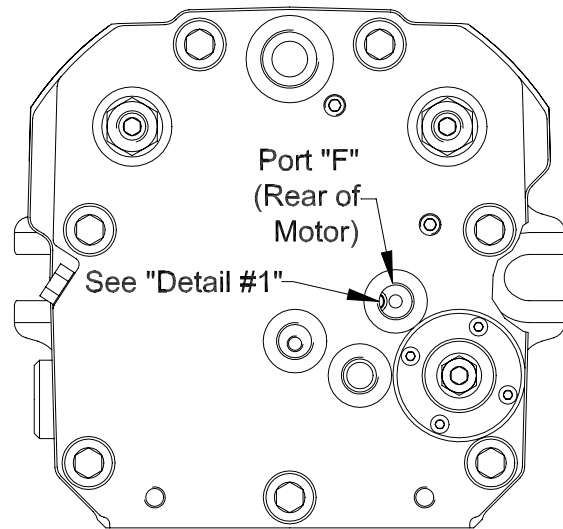


HMV-02 Configuration #1

Port "F"
(Side of
Motor)

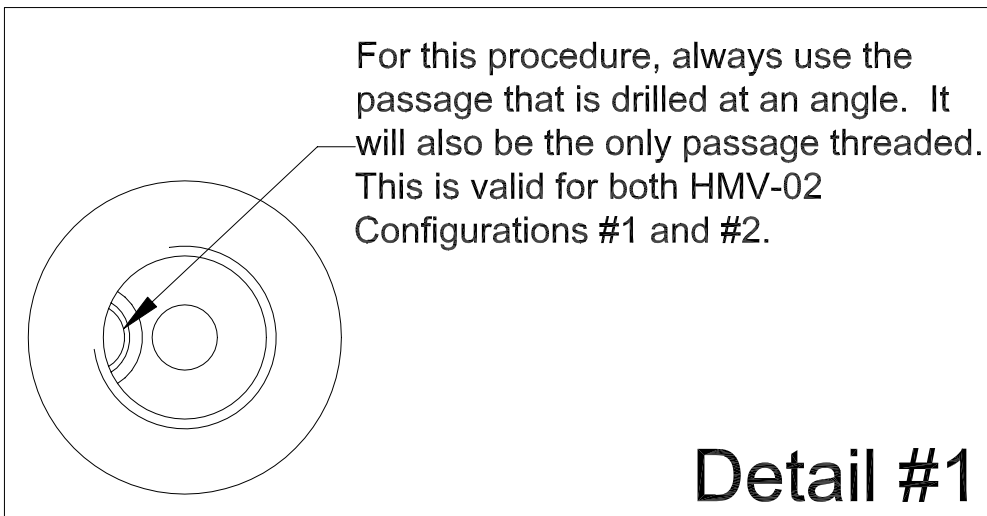
HMV-02 Configuration #2

Port "F"
(Rear of
Motor)

See "Detail #1"

Tools/Equipment Required:

- 6mm Allen wrench
- 3mm Allen wrench
- flat-head screwdriver
- torque wrench capable of setting 4 N-m (3 ft-lb)
- plastic shipping plug (Linde Part Number 0009620177)
- M6 set screw (Linde Part Number 9146056090)



Detail #1



Procedure to Activate the "F" Port on HMV-02 Motors

Document No: 993

Rev. 1

Conversion Bulletin

Page 2 of 3

Procedure to Activate the "F" Port:

Note:

The "standard" HMV-02 motors are configured with the "F" Port de-activated. However, if your HMV-02 already has the "F" Port activated, you can still use this Conversion Bulletin as a check to insure everything is properly set.

1. Remove the metal plug from Port "F" with the 6mm Allen wrench and discard it.
2. Referring to "Detail #1", install the M6 set screw (P/N 9146056090) with the 3mm Allen wrench into the designated passage in Port "F". Torque the set screw to 4 N-m (3 ft-lb).

Note:

Do NOT use any Loctite on the threads of the M6 set screw (P/N 9146056090).

3. Install the plastic shipping plug (P/N 0009620177) with the flat-head screwdriver into Port "F".



*******ATTENTION*******

You have been provided information on conversion, repair and/or service of Linde components. Proper application of the information requires specific training and may require use of specialized tooling and equipment. If you choose to proceed with the conversion, repair and/or service of the Linde component(s) absent the necessary training and/or these specialized tools, you do so at your risk.

Linde Hydraulics Corporation will accept no claim for warranty or other consideration resulting from deficiencies in the conversion, repair and/or service done in accordance with the guidance offered herein when the necessary training has not been conducted and/or required specialized tooling and equipment has not been utilized.

All requests for training must be coordinated through your Linde Account Manager. He can also provide you price and availability of any specialized tooling.

Questions regarding the information provided or this disclaimer should be addressed to the Warranty & Service Department, Linde Hydraulics Corporation.

5089 Western Reserve Road
Canfield, OH 44406
330.533.6801 (Telephone)
330.533.9873 (Facsimile)
www.lindeamerica.com (Web Site)