

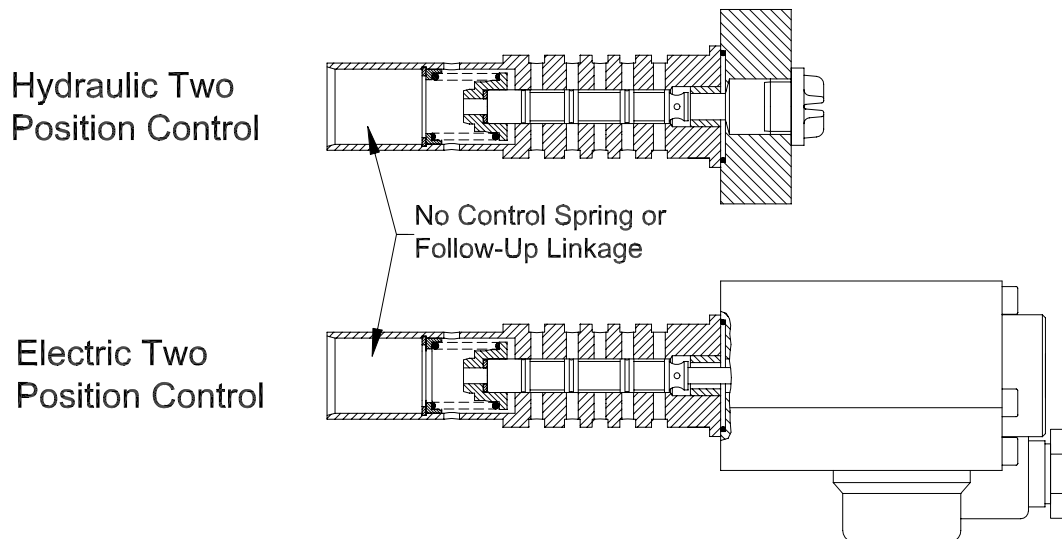
Tools/Equipment Required:

- 3mm Allen wrench
- torque wrench capable of setting 3.8 N-m (2.8 ft-lb)
- new two position motor control

Note:

If converting from a Hydraulic/Electric Infinitely Variable control to an Electric/Hydraulic Infinitely Variable Control or to an Electric/Hydraulic Two Position Control, then refer to Linde Conversion Bulletin "HMV-CONTROLS".

The sketch below illustrates the different two position HMV-02 controls available:

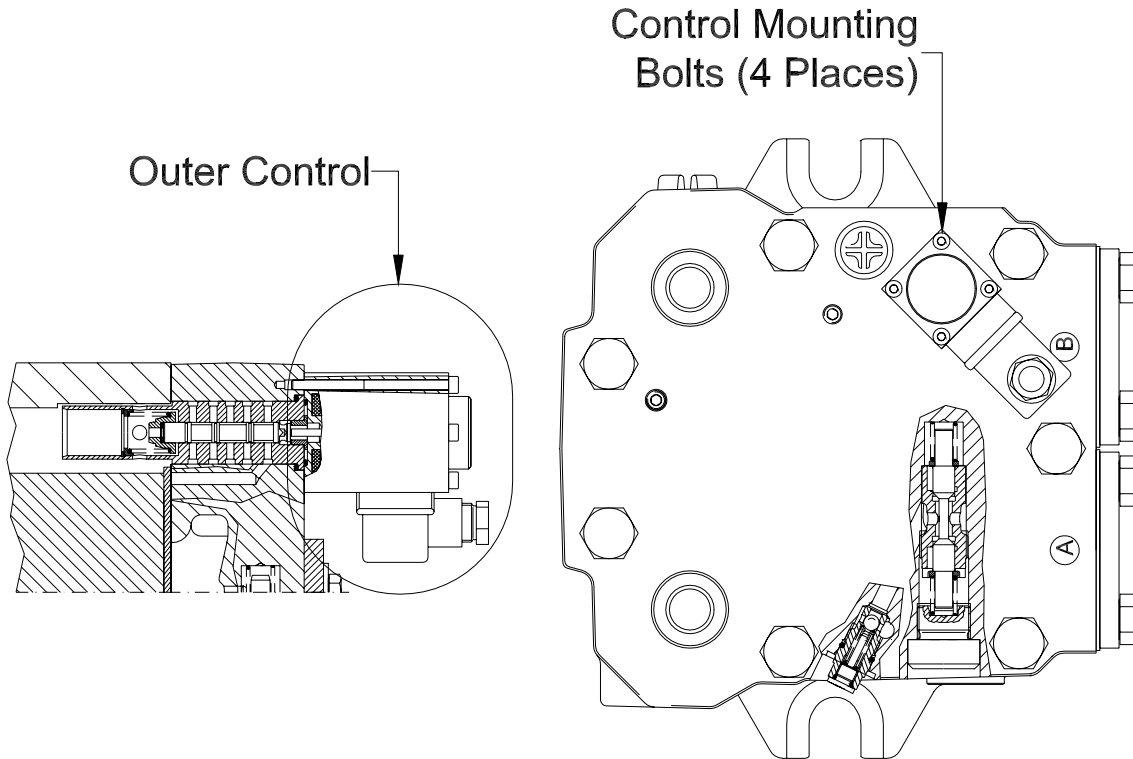


Procedure to Exchange Two Position Motor Controls:

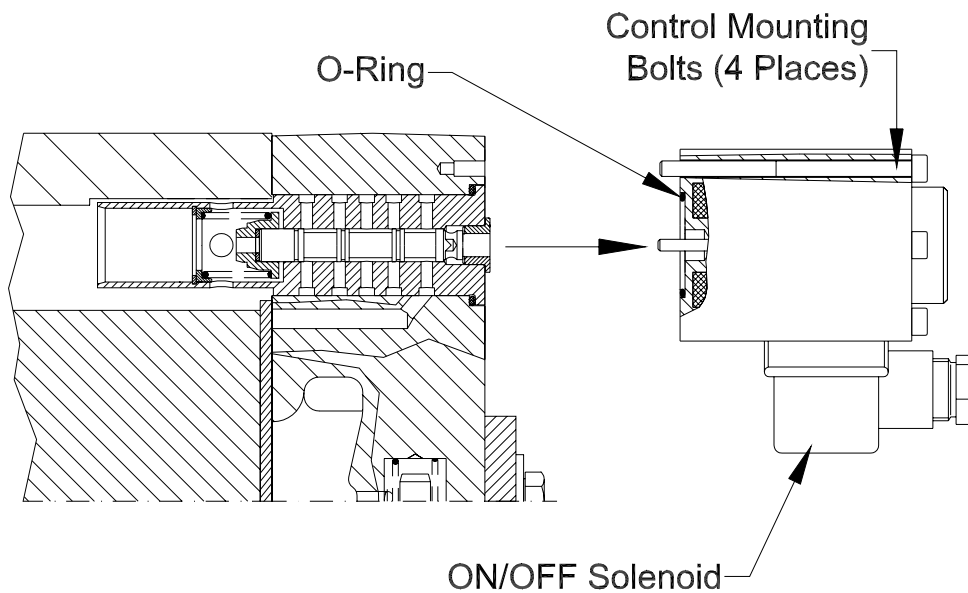
Note:

The following procedure includes instructions to convert an HMV-02 motor with an electric two position control to an HMV-02 motor with a hydraulic two position control. This procedure is valid when converting a hydraulic two position control into an electric two position control.

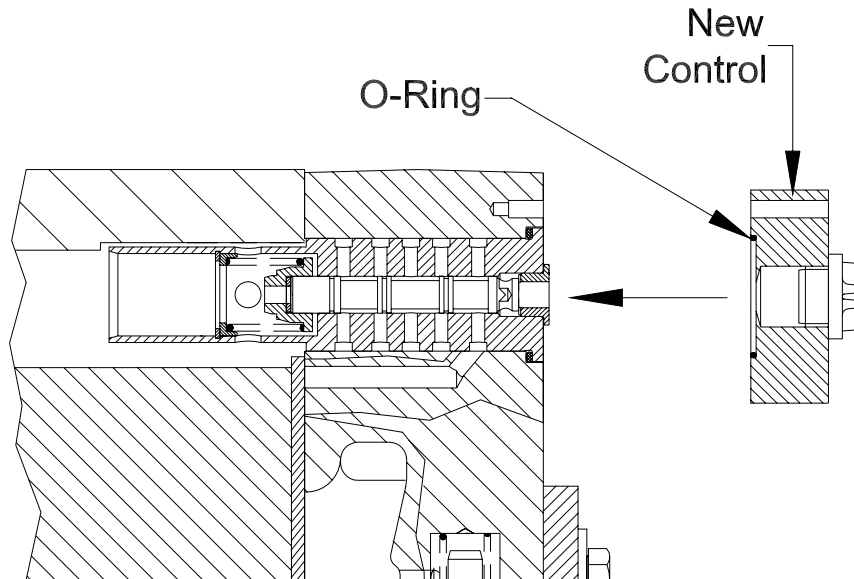
1. As illustrated on the following page, the *Outer Control* must be removed from the HMV-02 motor. To do so, remove the four(4) *Control Mounting Bolts* with the 3mm Allen wrench.



2. As illustrated below, remove the *ON/OFF Solenoid*, four(4) *Control Mounting Bolts*, and the *O-Ring* from the HMV-02 motor.



3. As illustrated below, install the new HMV-02 two position motor control onto the HMV-02 motor. Make sure that the *O-Ring* is undamaged and is properly positioned in the o-ring groove prior to installing the new control.



4. Fasten the new control to the motor with four(4) new control mounting bolts. Torque each mounting bolt to 3.8 N-m (2.8 ft-lb).



*******ATTENTION*******

You have been provided information on conversion, repair and/or service of Linde components. Proper application of the information requires specific training and may require use of specialized tooling and equipment. If you choose to proceed with the conversion, repair and/or service of the Linde component(s) absent the necessary training and/or these specialized tools, you do so at your risk.

Linde Hydraulics Corporation will accept no claim for warranty or other consideration resulting from deficiencies in the conversion, repair and/or service done in accordance with the guidance offered herein when the necessary training has not been conducted and/or required specialized tooling and equipment has not been utilized.

All requests for training must be coordinated through your Linde Account Manager. He can also provide you price and availability of any specialized tooling.

Questions regarding the information provided or this disclaimer should be addressed to the Warranty & Service Department, Linde Hydraulics Corporation.

5089 Western Reserve Road
Canfield, OH 44406
330.533.6801 (Telephone)
330.533.9873 (Facsimile)
www.lindeamerica.com (Web Site)