

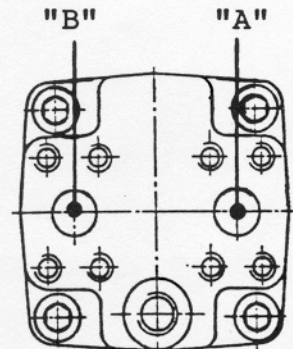
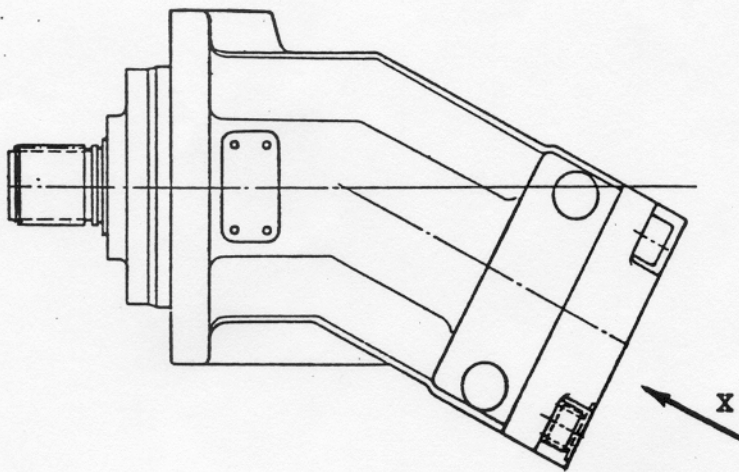


**BMF SERIES
DIRECTION OF
ROTATION**

**Bulletin No.
BMF 000
06.90/013/04**

FLOW IN PORT "A" YIELDS A CLOCKWISE ROTATION AS VIEWED FROM SHAFT END.

FLOW IN PORT "B" YIELDS A COUNTERCLOCKWISE ROTATION AS VIEWED FROM SHAFT END.



VIEW X